

## Protecta FR Collar

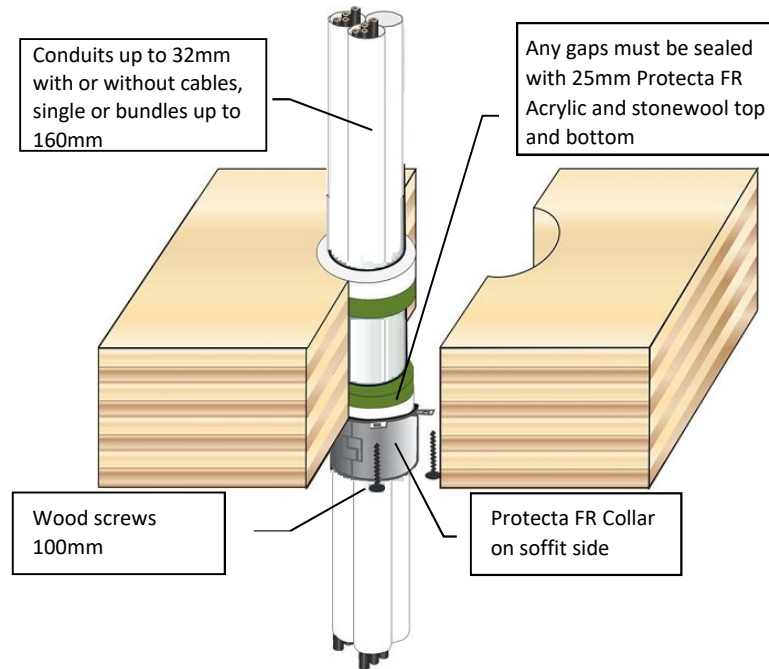
### Solid Timber or CLT Floor min 150mm

### Conduits - Single or Bundled, Rigid or Flexible

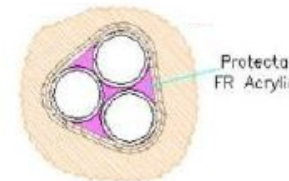
System/FPA Register ID# FC439

#### Installation Instructions

1. A single collar is installed on the underside of the floor.
2. Before fitting the collar ensure that any gaps between the conduits and the floor slab are sealed top and bottom with 25mm deep Protecta® FR Acrylic on 25mm deep backing of stonewool. (Any stonewool, rockwool or mineral wool of density 33kg/m<sup>3</sup> is acceptable). Alternatively FR Acrylic to the full depth of the stonewool may be used if more convenient.
3. Place a collar around the conduits and ensure that the fixing lugs are positioned tightly to the surface of the floor so that the fixings can be inserted fully.
4. Where the surface is uneven, apply a sealing bead of Protecta® FR Acrylic between the floor and the collar.
5. Attach the collar with 100mm wood screws.
6. On sites where the penetration size is greater than the conduits' diameter and/or the conduits are on an angle, an oversized collar can be used, i.e. the internal diameter of the collar can be larger than the conduits.
7. For visual integrity gaps between conduits and collar may optionally be sealed with a thin bead of FR Acrylic sealant.



**NOTE:** Smaller conduits can be bundled up to 160mm diam and wrapped as a single unit. Fill annular space with FR Acrylic.



<b>Products</b>	Protecta FR Collar Protecta FR Acrylic
<b>Application</b>	Fire stopping of rigid or flexible conduits in timber floors
<b>Construction</b>	Minimum floor thickness of 150mm and comprise solid timber or CLT with a minimum density of 480kg/m <sup>3</sup>

#### Fire & Sound classification:

Each conduit can be up to 32mm diam and be of PVC-C, PVC-U, PE, HDPE, PEX, ABS or SAN+PVC. Cables can be electrical, fibre optic or data up to 21mm diam.

Conduits up to 32mm diam in bundles up to 110mm, 50mm high collar FRR -/90/90

Conduits up to 32mm diam in bundles up to 160mm, 60mm high collar FRR -/90/90

**Over-sized collars** of any dimension approved (see pages 9 & 52), subject to:

Max angle 45°  
 Max FRR -/120/120  
 Max collar size 160mm  
 Max average annular space 55mm

ZERO smoke leakage up to 200Pa

Sound reduction (seal only) STC 58

Sheet size: <b>A4</b>	Drawn date & no: 28/7/21
Scale: <b>NTS</b>	Drawn by: K.B